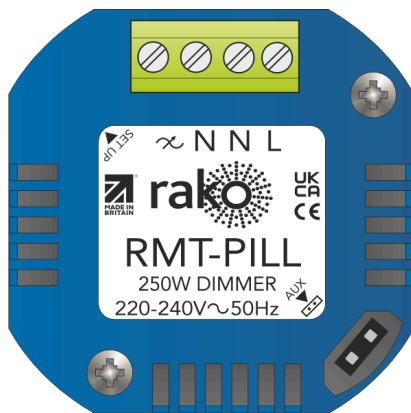




# Instruction Manual

# RMT-PILL

250W Trailing Edge Wireless Dimmer



2024

Version 2.0.1

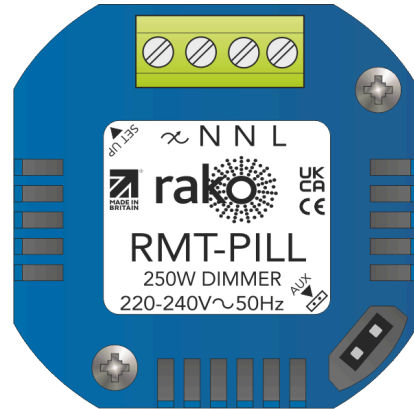


For more information relating to the RMT-PILL, see the [Wireless Module Application Sheet](#), [Wireless RAK Application Sheet](#), and [Wireless Device LED Diagnostics](#).

For programming a wireless system: [Wireless Module Setup Guide](#)

## Contents

1. [What is the RMT-PILL?](#)
2. [Loadings](#)
3. [Installation](#)
4. [Auxiliary Input](#)
5. [Initial Checks](#)
6. [Programming the RMT-PILL](#)
7. [Appendix 1: LED Diagnostics](#)



## What is the RMT-PILL?

The RMT-PILL trailing edge dimmer is suitable for mains dimmable LED's or halogens. It is intended to be installed in a backbox as a retrofit solution.

Depending on the fittings used in conjunction with the RMT-PILL, it can be used with or without a neutral connection.

RMT-PILL modules can be controlled by any Rako device that transmits wireless messages.

### NB

The RMT-PILL is not suitable for inductive loads, such as toroidal transformers.

## Loadings

### With neutral

Min: 1W

Max: 250W

Can be used with any trailing edge dimmable fittings (eg LEDs)

### Without neutral:

Min.: 60W

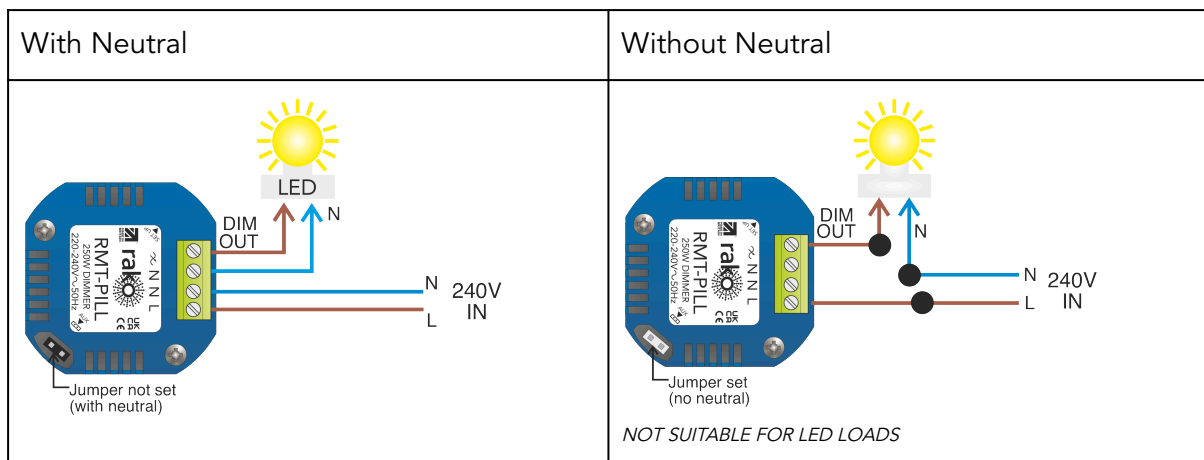
Max. 250W Mains Voltage: tungsten or halogen only.

## Installation of the RMT-PILL

### **⚠ WARNING**

Installation should only be carried out by a competent electrician.

- Modules should be mounted in areas that are adequately ventilated, dry, and outside of any enclosed metal casings that may interfere with the wireless signal.
- While the modules are designed to be maintenance-free, they should be mounted in an accessible location should investigation or re-addressing of the units be necessary.
- Allow for additional space inside the backbox for cables and the unit.



- The RMT-PILL dimmers are designed to be mounted in a wall-mounted electrical back box or conduit box. If a metal back box is used, then the aerial should be mounted outside of the back box, into the wall.
- Without a neutral, the RMT-PILL can only be used with mains voltage tungsten halogen and not mains voltage LEDs. It is not suitable for low-voltage or any other transformer-fed lighting types.
- Only use the dimmer with both neutrals connected or neither. Wiring a single neutral risks damaging the dimmer.

## Auxiliary Input

The auxiliary input can be used in conjunction with a third party switch to control the load without the use of a Rako wireless command.

### NB

Rasoft Pro and a suitable Communication Device (RAMPI/HUB) are required to enable the auxiliary input.

## Initial Checks

- When power is initially connected to the module, the load should power up to full brightness.
- The internal LED behind the button should flicker when the module receives any Rako wireless message.
- Should the module not respond to any of the above, then further investigation must be made before proceeding further.



## Programming the RMT-PILL

Once the RMT-PILL has powered up and has been tested working with the setup button, the device is ready to be programmed. For instructions on how to program the RMT-PILL, see the [Wireless Module Setup Guide](#).

Thank you for choosing Rako Controls; we hope that you are pleased with your system. Should you require further assistance, please contact us via our website, [www.rakocontrols.com](http://www.rakocontrols.com), or by calling our customer support helpline on 01634 226666.



## Appendix 1: LED Diagnostics

Wireless Range	LED Pulses	Description
Good wireless reception	 A green square wave pulse diagram showing four distinct, solid pulses of equal height and width, spaced evenly across the horizontal axis.	When the unit is receiving successfully, there will be four rapid pulses on the LED when any wireless message is sent.
Bad wireless reception	 A red square wave pulse diagram showing four pulses. The first and last pulses are solid red lines, while the two middle pulses are represented by dashed red lines, indicating intermittent reception.	When the unit is out of range, there will be intermittent pulses on the LED when any wireless message is sent.  <b>NB</b> It is recommended to install a wireless repeater (WRB-100) if you are experiencing intermittent wireless range.

*Should the module not respond to any of the above, check the supply voltage.*