

DATA SHEET

RAUSB

USB RF GATEWAY FOR RASOFT

WHAT IS IT ?

Designed to operate with the Rako RASOFT PC programming software.

The unit provides a wireless link from a PC running RASOFT to RAKOM enabled receiver devices such as the RDL range of dimmers.

The RAUSB is a USB to RF interface for the RASOFT PC software suite



FLEXIBLE CONTROL

The RAUSB module allows a PC running the RASOFT programming software to communicate with RAKOM receiver devices.

A free USB1.1 or USB2.0 port is required on a PC running WindowsXP, 2000 or 98SE.



DATA SHEET

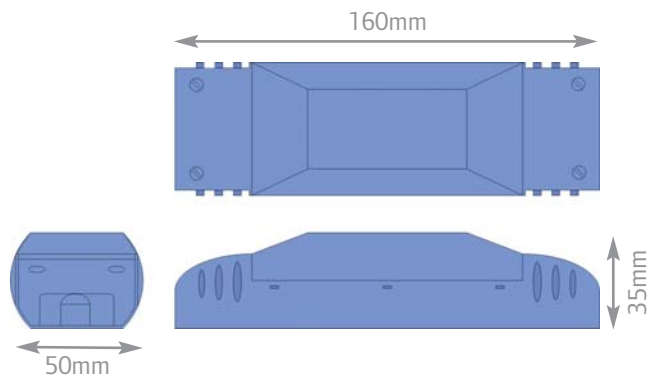
RAUSB

USB RF GATEWAY FOR RASOFT

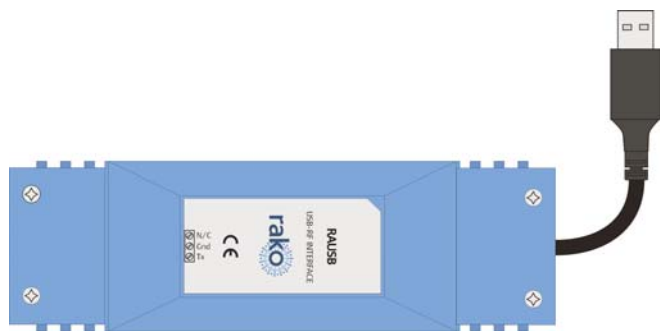
TECHNICAL DATA

DIMENSIONS	160x50x36mm
INPUT SUPPLY	5V DC (powered via USB port)
WEIGHT	125g
HOUSING	UL V0 material
CLIMATE RANGE	Temperature +2C to +40C Humidity +5% to 95% non condensing
CONNECTIONS	USB Type A male
SYSTEM REQUIREMENTS	IBM Compatible PC running WindowsXP, Windows2000 or Windows98SE
STANDARDS	Emissions - EN61000-6-3 : 2001 Immunity - EN61000-6-1 : 2001 LVD - EN 60950-1 :1992
COMMUNICATION	Rakom coded fm radio, 433.9MHz
MEMORY	Flash memory (non volatile)

MECHANICAL DATA



CONNECTION DETAILS



telephone +44 (0) 1634 226666 fax +44 (0) 1634 226667 www.rakocontrols.com