



Wireless
data sheet

RMT-PILL

250W BACK BOX DIMMER



WHAT IS IT ?

A compact 250W RF dimmer designed to be located in a standard UK or European backbox.

The RMT-Pill can be used either with or without a neutral allowing it to be used with dedicated wiring or retrofit into a standard wiring situation.

Trailing edge technology for quiet reliable dimming of any non-inductive load when used with a neutral or tungsten GLS and tungsten halogen GU10 style lamps when used without.

Controlled from any Rako Rakom device or simple contact closure input using a momentary push switch.

The RMT-PILL dimmer is a 250w back-box dimmer for halogen and mains dimmable LED lighting loads.



FLEXIBLE CONTROL

Designed to fit in a standard UK or European back-box the RMT-PILL, whether used with or without a neutral, has full wireless receiving capability and the same programmability as other Rako dimmers. The RMT-PILL, dimmer is useful for installations where fitting a standard Rako dimmer is difficult e.g. retro-fitting to control wall-lights.

When wired with a neutral the RMT-PILL can be used with all mains dimmable LEDs with a minimum load of 1W.

When used in neutralless mode the RMT-PILL should only be used with halogen or similar incandescent loads. Minimum loading is 25W.

Programmed using either an RCM wall-plate or Rasoft Pro software. The RMT-PILL stores the House, Room and Channel address plus 16 preset Scene levels in a non-volatile memory and can be fully integrated into Rako wired systems.

The RMT-PILL dimmer can be controlled from any Rako transmitter such as RCM, RNC, RK-EOS or RK-MOD keypads, hand helds and Hub units and is the ideal accessory to any Rako scene-set system.

The RMT-PILL dimmer can also be controlled from a simple momentary action switch giving ON/OFF control allowing cost effective extra panels. Control from simple panels still allows the dimmer to be used as part of an overall home control system with Master Off and macro command response.



Wireless
data sheet

RMT-PILL

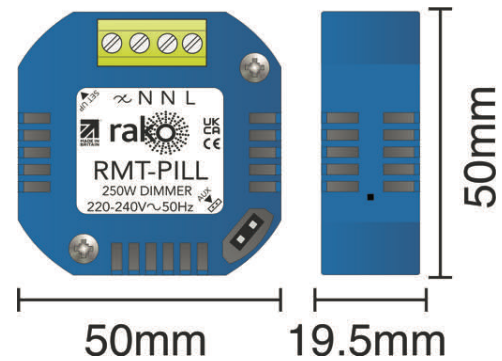
250W BACK BOX DIMMER



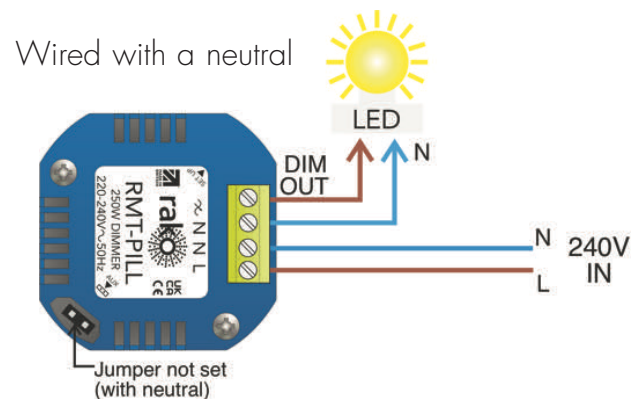
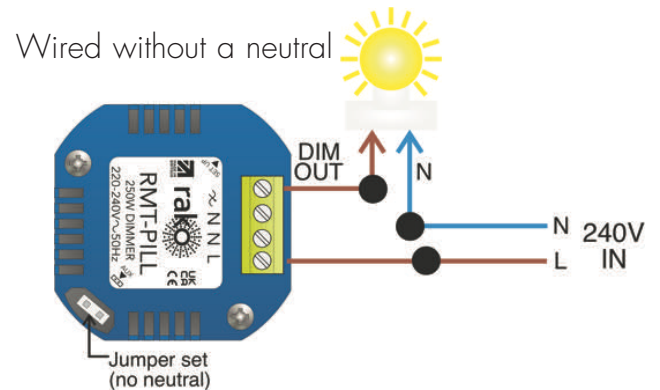
technical data

dimensions	50x50x19.5mm
input supply	230V AC +/-10% 50Hz
weight	46g
housing	UL V0 material
climate range	Temperature +2C to +40C Humidity +5% to 95% non condensing
connections	4 way screw terminals for mains power. Molex 2 pin socket for auxiliary switch
protection	Auto resetting over current protection Auto thermal shutdown Voltage surge protection
load types	With neutral: Mains Dimmable LEDs, Incandescent mains voltage lamps, Tungsten halogen, GU10 lamps, Trailing edge dimmable LV transformers, Trailing edge dimmable cold cathode. Without neutral: Incandescent mains voltage lamps, Tungsten halogen GU10 lamps Not suitable for low voltage or LED lamps.
minimum load	With neutral - Min 1W Without neutral - Min 60W
maximum load	With neutral: 250W Without neutral: 250W
terminal sizes	1.5mm ² - Stranded 2.5mm ² - Solid
standards	Emissions - EN61000-6-3 : 2007 Immunity - EN61000-6-1 : 2007
communication	Rakom coded fm radio, 433.9MHz
memory	Flash memory (non volatile)

mechanical data



wiring schematic



telephone +44 (0) 1634 226666 www.rakocontrols.com